



TS924 FOOT VALVE SETUP AND OPERATING INSTRUCTIONS

PRODUCT DESCRIPTION: The TS924 Foot Valve is a rugged and easy to use, floor mounted dispenser

SPECIFICATIONS:

Size8" x 5" x 5" (20.3 x 12.7 x 12.7 cm)

Weight 4 lbs. (1.82 kg)

Input Pressure 100 psi max (7 bar)

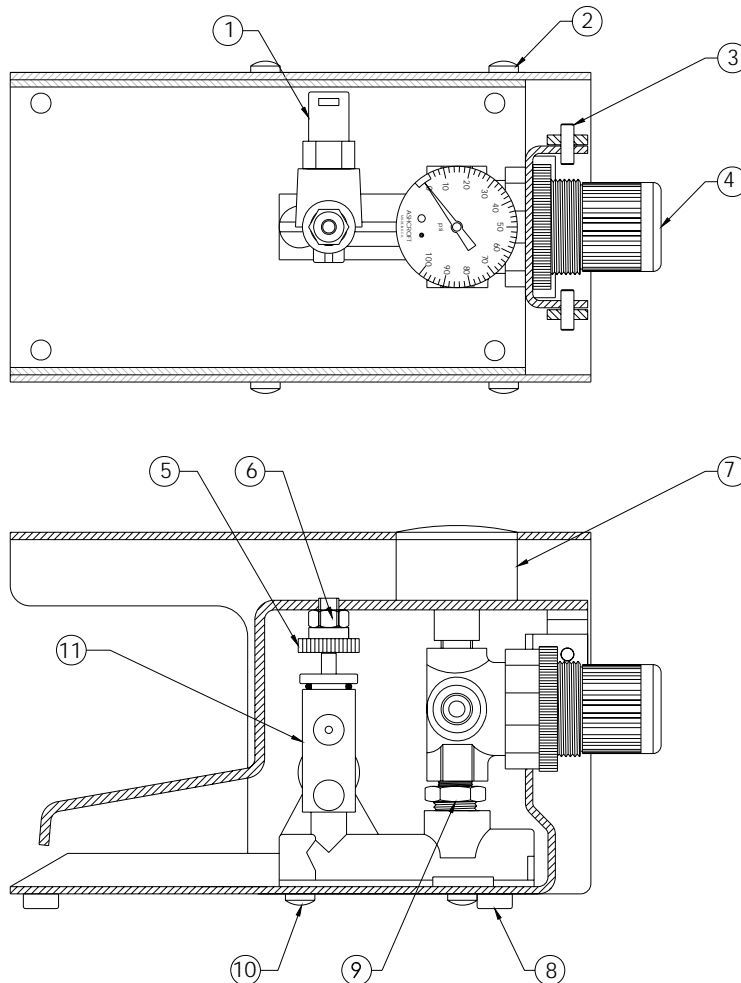
Operating Pressure Up to 100 psi (7 bar)

SETUP AND OPERATION

1. Connect hose assembly to foot valve, then to 100 psi maximum dry filtered air supply
2. Insert quick connect end of Receiver Head assembly (air adapter) of syringe or Production Master Cap Cartridge assembly into Air Outlet port of the Foot Valve and turn clockwise until secure.
3. Rotate air regulator knob clockwise to increase dispense pressure. Pressure gauge will indicate desired pressure setting.
4. Press on the foot valve lever to activate the dispense cycle. Material should flow as long as the pedal is depressed.
5. The amount of material dispensed per cycle depends on the combination of air pressure, duration or dispense cycle, viscosity of material, temperature and dispense tip size.

PARTS LIST

No	Part Number	Description	Qty	No	Part Number	Description	Qty
1	534	Coupler	1	8	TSD1118-5	Bumper	4
2	TSD1105-24	Screw 10-32 x 1/4	6	9	TSD915-1	Reducer Nipple	1
3	TSD1124-10-8	Roll Pin	2	10	TSD1105-25	Screw 10-32 x 3/8	1
4	TSD500-29	Air Regulator	1	11	924-16	Valve Body Assy	1
5	924-10	Adjustment Button	1	12	924-19	Air Hose (not shown)	1
6	TSD1115-52	Hex Nut	1	13			
7	TSD600-21	Pressure Gauge	1	14			



T9000076_A